

SUPERVISION RELAY (STATIC TYPE)

TRIP CIRCUIT SUPERVISION RELAY : SLR TC22

SLR TC22 is a Static Type Trip Circuit Supervision Relay. It monitors the healthiness of the Circuit Breaker in Open and Close Conditions.

DC SUPERVISION RELAY : SLR DC13

SLR DC13 is a Static Type DC Supervision Relay for monitoring DC healthy voltage and gives a visual alarm on failure. No external alarm accept relay & push button is required. It is suitable for DC failure indication or DC monitoring circuits.

AC SUPERVISION RELAY : SLR AC13

SLR AC13 is a Static Type AC Supervision Relay for monitoring AC healthy voltage and gives a visual alarm on failure. No external alarm accept relay & push button is required. It is suitable for use AC failure indication or AC monitoring circuits.

PT FUSE SUPERVISION RELAY : SLR PT32

SLR PT32 is a Static Type PT Fuse Supervision Relay for supervision of VT fuses in the protection circuits. It will operate for single, two and three phase fuse failures.

Salient Features

- Robust Design & Construction
- Alarm Accept Push Button
- Compact in Size
- Self & Hand Reset Contacts

Dimensions

- Cut Out: (92×92) mm ~ (H×W)
- Overall Dimensions: (H×W×D): (96×96×104) mm ~

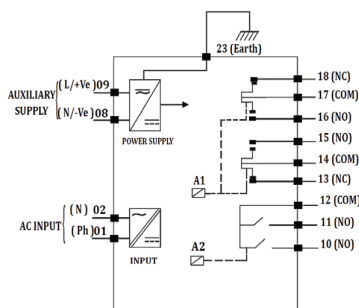


Technical Specifications

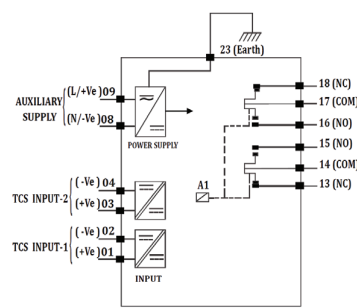
	SLR TC22	SLR DC13	SLR AC13	SLR PT32
Supervision Input	(24/30/110/220) VDC	(24/30/110/220) VDC	110/230/240 VAC	63.5VAC (P-N)
Auxiliary Supply	(18 - 265) VAC/DC	(18 - 265) VAC/DC	(24/30/110/220) VDC	(18 - 265) VAC/DC
Input operating Range	40% to 120% Vn	40% to 120% Vn	40% to 120% Vn	40% to 120% Vn
Pick up/Drop-of value	40% (±10%) Vn	40% (±10%) Vn	65% (±10%) Vn	40% (±10%) Vn
Pickup time delay	< 15 msec	< 15 msec	< 15 msec	< 15 msec
Reset time delay	> 800 msec	NA	NA	NA
Power consumption	< 2 Watts	< 2 Watts	< 2 Watts	< 2 Watts
LED Indications	(1) Power ON (2) TC Unhealthy (3) TC Healthy	(1) Power ON (2) DC Fail (3) DC Healthy	(1) Power ON (2) AC Fail (3) AC Healthy	(1) Power ON (2) R PT Fail (3) Y PT Fail (4) B PT Fail
	2 Nos.	1 Nos.	1 Nos.	3 Nos.
Output contact	2 C/O S/R	2 C/O S/R + 2NO H/R	2 C/O S/R + 2NO H/R	2 C/O S/R
Contact Rating	2A @ 230V AC /28V DC			
	IS3231/IS 8686-1997/IEC-60255			

Environment

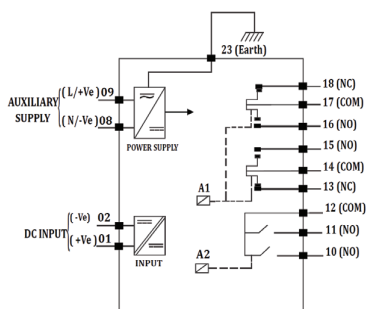
1 MHz burst immunity test	IEC60255-22-1 Edition 3.0 (2007)
Relay characteristic, performance & accuracy test	IEC60255-155:2009, IS3231:1986
Insulation test	IEC60255-27:2005 & IS3231:1986
Dielectric test	IEC60255-27:2005 & IS3231:1986
Impulse test	IEC60255-5:2000, IS3231:1986 & IS8686:1977



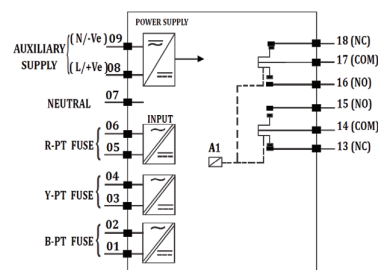
Trip Circuit Supervision Relay : SLR TC 22



DC Supervision Relay : SLR DC 13



AC Supervision Relay : SLR AC 13



PT Fuse Supervision Relay : SLR PT 32

- There is a continuous effort at Stelmec to keep abreast of latest technology in line with customer requirements and hence the product specifications are subject to change.
- Products described in this catalogue are manufactured and supplied according to Certified Management System ISO 9001:2015.
- Product variants provide different combinations of features / specifications listed above & need not necessarily be a part of single variant.