

SLR CTD123

CAPACITOR TRIP DEVICE (CTD)

The Stelmec make SLR CTD123 is a Capacitor Trip Device used to trip the medium voltage 33/11Kv circuit breakers as DC supply fails by using the stored energy in a capacitor. Capacitor Trip Device gets charged from substation battery. Once it senses the DC supply failure by DC contractor, it will trip the circuit breaker.



Salient Features

- Rated voltage – 110 or 220VDC
- Robust Design & Construction
- LED for Power ON
- 4 Holes mechanism to fix CTD with any make breaker.
- Auto trip the Circuit breaker.

Dimensions

- Overall (HxWxL) : (105 x 70 x 150) mm ~
- Cutout (HxW) : (105 × 70) mm ~

Description

DC supply failure is a casual phenomenon that occurs in the system due to one or other reason occasionally. Consequent upon such DC supply failures, major breakdowns, equipment failure and even fire incidences occurred in the system.

SLR CTD123 Capacitor Trip Device is alternate methods to auto trip the CB locally without DC supply was explored. One of the methods using schematic comprising of a capacitor, diode and some resistors along with suitable protection to serve the purpose and auto trip the CB in the event of DC supply failure to that particular CB. The CBs can be

auto trip by energy stored in capacitor to cut off the live system and to save equipment failures and fire incidences.

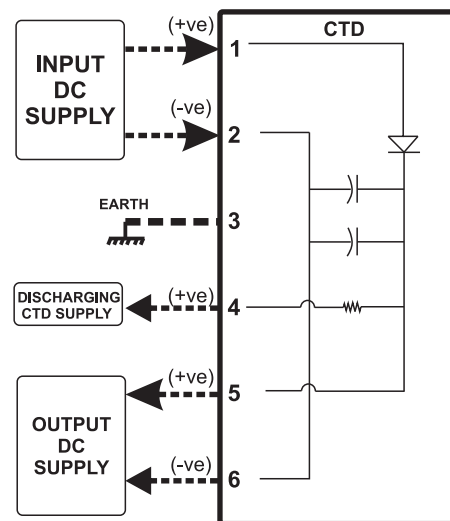
In normal condition this capacitor get charged through a diode circuit and in case of DC supply failure, this capacitor get discharged through trip coil such that the trip coil operates and CB trips. Capacitor Trip Device is incorporated with suitable short circuit, surge voltage and current protection.

The capacitor holds sufficient charge to trip the breaker after the charging voltage is removed.

Technical Specifications

Relay Type	SLR CTD 123
Rated input voltage	110/220 V DC
Output voltage	110/220 V DC
Operating Range	85% to 110% of rated voltage
Rated current (A)	Output contact 5 A (Approx.)
Mounting	4 Holes mechanism to fix CTD with any make breaker.
Ref. Standards	IS/ Manufacturer design
Weight	1 kg ~

Typical Terminal Diagram



- There is a continuous effort at Stelmec to keep abreast of latest technology in line with customers' requirements and hence the product specifications are subject to change.
- Products described in this catalogue are manufactured and supplied according to Certified Management System ISO 9001:2015.
- Product variants provide different combinations of features / specifications listed above & need not necessarily be a part of single variant.