

## SLR AH33

### AUXILIARY RELAY

The Stelmec make SLR AH33 is an Electromechanical Three Element Voltage Operated (24/30/110/220)V DC Auxiliary Relay with 2NO and 2NC hand reset contacts and flag for Transformer Protection such as Buchholz relay trip / alarm, Winding Temperature trip / Alarm, Oil Temperature trip / Alarm etc.



### Salient Features

- Robust Electromechanical Design
- Simple and Reliable Construction
- Heavy Duty Contacts
- Hand Reset Contacts
- Flush Panel Mounting
- 2 Element Option Available

### Dimensions

- Overall Dimensions: (H × W × D):  
(174 × 154 × 104) mm ~
- Cut Out (H × W): (132 × 153) mm ~

### Description

A fast operating, multi-contact, attracted armature relay with a high degree of mechanical stability, Type SLR AH33 has hand-reset contacts and an operating coil cut-off contact.

The control coil of the relay element is wound with super enameled copper wire with a short time thermal rating since the relay has a very fast operation with operating time <20ms.

A coil cut-off contact (NC contact of same element) with suitable break rating is internally wired in series with the coil. This makes coil energization momentary & disconnects the coil on operation.

The Mechanical interlock operates & Relay remains in lock out position until it is hand reset.

A mechanically operated hand reset type flag, is provided as an operation indicator. White for reset position & Red for Lock out indication.

The contacts are designed to have superior contact rating with minimum wear and tear.

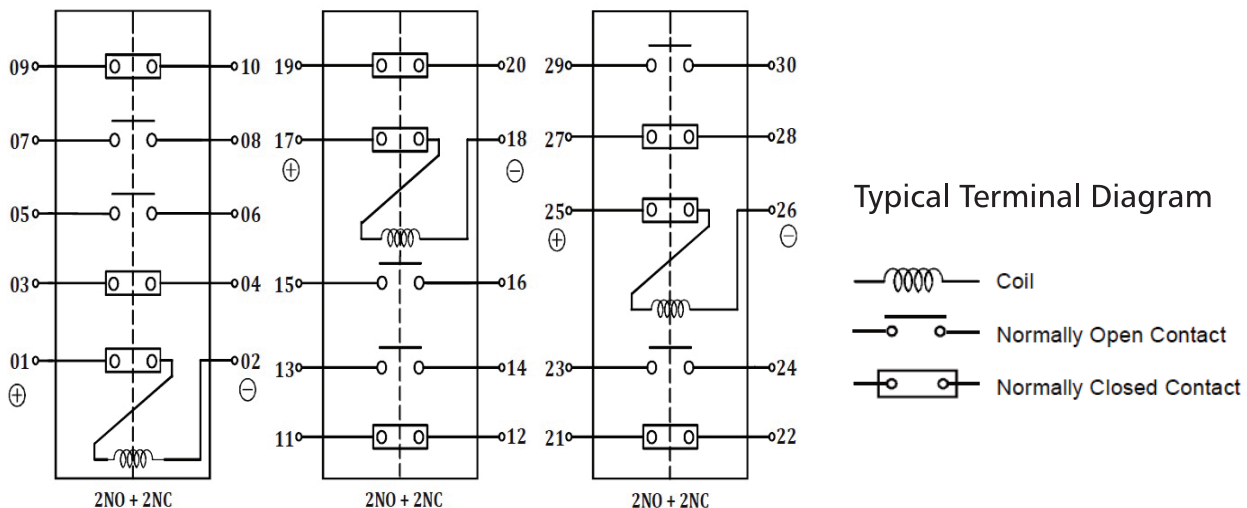
The elements are mounted in compact, non-drawout case, suitable for flush mounting on panels.

### Technical Specifications

|                       |   |
|-----------------------|---|
| Coil Rating           | (24/30/110/220) VDC                       |
| Operating Range       | 50 to 120% of rated voltage               |
| Operating Time        | <20 ms at nominal rated voltage           |
| Operational Indicator | Mechanical flag (HR type)                 |
| Rated Burden          | <5 W (Momentary)                          |
| Contacts              | Configuration: 2NO + 2NC for each element |
| Ref. Standards        | IEC 60255/ IS 3231                        |

#### Contact Ratings:

|           | Make & Carry                      | Make & Carry for 3 sec.            | Break                                      |
|-----------|-----------------------------------|------------------------------------|--|
| <b>AC</b> | 1250VA with max. of 5A & 660Volts | 7500VA with max. of 30A & 660Volts | 1250VA with max. of 5A & 660Volts          |
| <b>DC</b> | 1250W with max. of 5A & 660Volts  | 7500W with max. of 30A & 660Volts  | 100W Resistive, 50W Inductive for 5A/ 660V |



- There is a continuous effort at Stelmec to keep abreast of latest technology in line with customers' requirements and hence the product specifications are subject to change.
- Products described in this catalogue are manufactured and supplied according to the Certified Management System ISO 9001:2015.
- Product variants provide different combinations of features / specifications listed above & need not necessarily be a part of single variant.