



SLR 14S

SELF POWER RELAY



Salient Features

- Relay gets energized either from Current, Auxillary Power Supply, Front USB or Internal Battery
- Site selectable 1 A & 5A CT Input User friendly Local HMI
- Two Stages Over Current and Two Stage Earth Fault Protection Relay
- IDMT Characteristics - NI, VI, EI, LTI, 35, 1.35, 0.65 & DTL for Phase and Earth Fault
- Potential pulse output for direct triggering the Circuit Breaker Coil
- RS-485 Modbus
- USB port for communication with PC/Laptop
- Cold Load Pickup
- Circuit Breaker Failure Protection
- Unbalance Protection
- Remote Trip
- Remote Protection Block
- 1 or 2 Setting Groups
- Storage of latest 99 nos. of Fault / Events log with 1 ms Time Stamp Resolution
- IEC 60870-5-103 and/or MODBUS-RTU Communication Protocol

Protection Functions and Settings

| Device No. | Relay Functions | Settings |
|------------|------------------------------------|-----------------------------|
| 51 | IDMTL Over Current Protection | 20% to 400% in steps of 1% |
| 51N | IDMTL Earth Fault Protection | 20% to 400% in steps of 1% |
| 50 | High Set Over Current Protection | 50% to 400% in steps of 1% |
| 50N | High Set Earth Fault Protection | 50% to 400% in steps of 1% |
| 50BF | Circuit Breaker Failure Protection | 0.01s to 2s |
| 46 | Unbalance Protection | 10% to 100%, in steps of 1% |

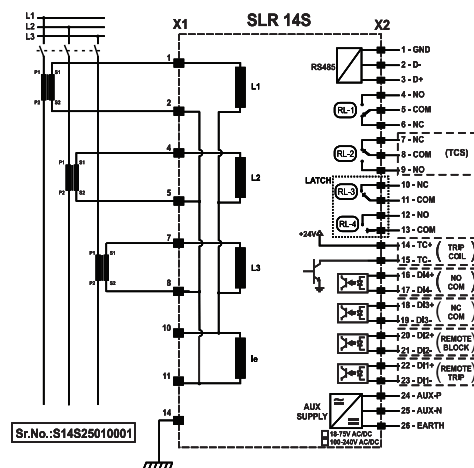
Casing

- (WxHxD): (134 x 180 x 214) mm ~
- Cutout size (WxH): (108 x 156) mm ~
- Degree of Protection: IP 54
- Weight: 2.5 Kg ~
Draw out / Fixed type

Technical Specifications

| | | | |
|-------------------------|--|----------------------------------|--|
| Rated Current (In) | 1A/5A | Burdens for: | |
| Frequency | 50 Hz | OC & EF CT | < 0.2VA@5A |
| Time Multiplier | 0.01 to 2.0 in steps of 0.005 | Aux. Power | Quiescent approx. 3W / Operating approx. 6W |
| Low Set Delay | 0.00 sec to 200.00 secs | Cold Load Pickup Setting: | |
| High Set Delay | 0.00 sec to 20.0 secs | CLP I> | 10% to 3200% |
| CB Fail Timers | 0.01 sec to 600 secs | Delay | 0.01 to 20 secs |
| Accuracy | < ± 5% | Blocking function | ALU>I / >1 >/EF>/EF>> |
| Auxiliary Power Supply | 18 - 60V AC/DC 85 - 265V AC / 110-300V DC | Temperature: | |
| Contact Ratings: | | Operational Range | -10° C to + 55° C |
| Relay (Latch/Non Latch) | 10A@ 230V AC /8A@ 28V DC | Storage Range | -20° C to + 70° C |
| Trip Coil | 24V / 12V@0.2Ws / 50msec ON Pulse | Ref. Standard | IEC 60255 / IS 3231 |
| Digital O/P | 05 nos | | |
| Digital I/P | 04 nos | | |
| Indications | LED: 9 LED indications LCD: 16 x 2 Alphanumeric | | |

Typical Terminal Diagram



- There is a continuous effort at Stelmec to keep abreast of latest technology in line with customers' requirements and hence the product specifications are subject to change.
- Products described in this catalogue are manufactured and supplied according to Certified Management System ISO 9001:2015.
- Product variants provide different combinations of features / specifications listed above & need not necessarily be a part of single variant.