



SLR 140V

NUMERICAL VOLTAGE PROTECTION RELAY

The Stelmec SLR140V relay monitors electrical supply network voltages and protects the three-phase network with isolated or high impedance earthed neutrals against earth-faults. SLR140V is also well suited for capacitor bank protection. These relays can be set locally as well as remotely.

Salient Features

- Two Stage Over Voltage Protection
- Two Stage Under Voltage Protection
- Two Stage Residual Voltage Protection
- In Built 10 Min. Time Delay Function Used for Capacitor Bank Protection
- Protection Function Enable/Disable Function
- Voltage Input Monitoring
- User Configurable 6 Output Contacts
- User Configurable 7 Digital Inputs
- User Friendly setting and Indications
- Storage of latest 999 nos. of Fault log with Time stamp resolution.
- IEC 60870-5-103 and/or MODBUS-RTU Communication Protocol
- 1 or 2 or 4 setting group selection by manual or Digital input based setting
- Self Monitoring Facility (Watchdog)



Protection Functions

| Device No. | Relay Functions |
|------------|---------------------------------|
| 27 | Under Voltage Protection |
| 59 | Over Voltage Protection |
| 59N | Neutral Displacement Protection |

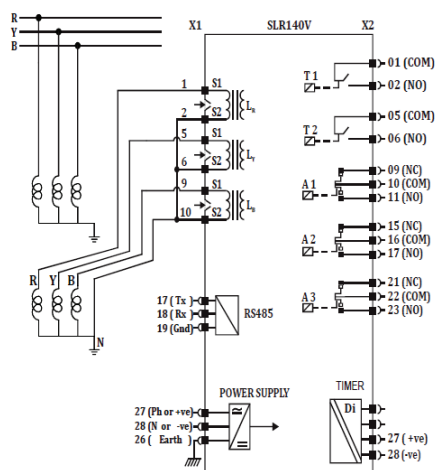
Technical Specifications

| | |
|--|--|
| Rated Voltage | 110V AC (ph-ph) /63.5V (ph-N) |
| Frequency | 50 Hz |
| Voltage Setting Accuracy | ±5% of setting ±0.5% of nominal |
| Over Voltage Setting Range (U>, U>>) | 50 - 180% of Un (U>) (steps 1%) 0.01 - 2.0 (TMS) (steps 0.005) 0.00 - 99.99 (DMT) (steps 0.01sec) 50 - 180% Un (U>>) (steps 1%) 0.05s - 2s (DMT) (steps 0.01sec) |
| Under Voltage Setting Range (U<, U<<) | 10 - 100% of Un (U<) (steps 1%) 0.01 - 2.0 (TMS) (steps 0.005) 0.00 - 99.99 (DMT) (steps 0.01sec) 0 - 100% Un (U<<) (steps 1%) 0.05s - 2s (DMT) (steps 0.01sec) |
| Residual Voltage Setting Range (Uo>, Uo>>) | 2 - 88 V (Uo>) (steps 1V) 0.01 - 2.0 (TMS) (steps 0.005) 0.00 - 99.99 (DMT) (steps 0.01sec) 10 - 88 V (Uo>>) (steps 1V) 0.05s - 2s (DMT) (steps 0.01sec) |

Indications
LED: (09 nos) Aux, Start, Trip & Types of Fault Indications
LCD: (16x2) Alphanumeric User Friendly display mode for control, settings, Instruments and Fault data

Burdens:

| | |
|-------------------------------------|---|
| PT | AC: < 0.2VA @ 63.5V AC |
| Auxiliary Supply | DC: < 12W - operated relays activated / < 8W - under quiescent condition |
| Contact Ratings | 15A @ 230V AC, 15A @ 28V DC, Break 75W DC resistive, 1250VA AC |
| Auxiliary Relay | 6A @ 230V AC, 6A @ 24V DC |
| Output Contacts | The relay provides 5+1 user programmable output relays on which two with NO type contact and 4 with CO type contact |
| Ambient Operating Temperature Range | -10 to 55 degree C |
| Storage Operating Temperature Range | -20 to 70 degree C |
| Ref. standard | IEC 60255/ IS3231 |



Typical Terminal Diagram

- There is continuous effort at Stelmec to keep abreast of latest technology in line with customer requirements and hence the product specifications are subject to change.
- Products described in this catalogue are manufactured and supplied according to the Certified Management System ISO 9001:2015.
- Product variants provide different combinations of features / specifications listed above & need not necessarily be a part of single variant.