

## SLR 140V

### NUMERICAL VOLTAGE PROTECTION RELAY

The Stelmec SLR140V relay monitors voltage distribution network and protects it against over voltage and under voltage faults. This relay is well suited for capacitor bank protection.

#### Salient Features

- Two Stage Over Voltage Protection
- Two Stage Under Voltage Protection
- Two Stage Residual Voltage Protection
- In Built 10 Min. Time Delay Function Used for Capacitor Bank Protection
- Protection Function Enable/Disable Function
- Voltage Input Monitoring
- User Configurable 6 Output Contacts
- User Configurable 7 Digital Inputs
- User Friendly setting and Indications
- Latest 999 Fault & Events with 1ms Time Stamp resolution
- IEC 60870-5-103 and/or MODBUS-RTU Communication Protocol
- 1 or 2 or 4 setting group selection by manual or Digital input based setting
- Self Monitoring Facility (Watchdog)



## Protection Functions

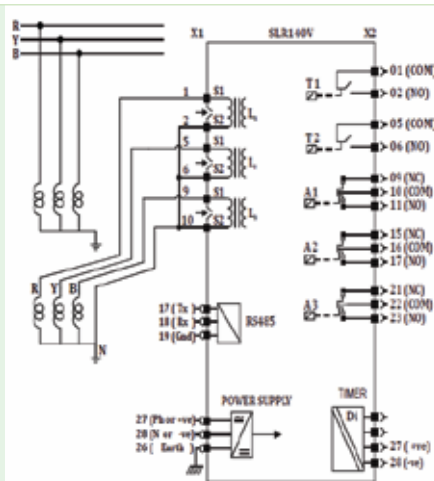
Device No.	Relay Functions
27	Under Voltage Protection
59	Over Voltage Protection
59N	Neutral Displacement Protection

## Casing

- Overall Dimensions (H×W×D) : (180 × 134×212) mm~
- Cutout size (H×W): (156×108) mm ~
- Degree of Protection: IP 54
- Weight: 2.5 Kg (approx)
- Draw-out / Fixed type case

## Technical Specifications

Rated Voltage	110V AC (ph-ph) /63.5V (ph-N)	Indications	LED: (09 nos) Aux, Start, Trip & Types of Fault Indications LCD: (16x2) Alphanumeric User Friendly display mode for control, settings, Instruments and Fault data
Frequency	50 Hz	<b>Burdens:</b>	
Voltage Setting Accuracy	±5% of setting ±0.5% of nominal	PT	AC: <1.6V.A @ 110V AC /0.5VA @63.5V DC
Over Voltage Setting Range (U>, U>>)	50 - 180% of Un (U>) (steps 1%) 0.01 - 2.0 (TMS) (steps 0.005) 0.00 - 99.99 (DMT) (steps 0.01sec) 50 - 180% Un (U>>) (steps 1%) 0.05s - 2s (DMT) (steps 0.01sec)	Auxiliary Supply	DC: <12W - operated relays activated / <8W - under quiescent condition
Under Voltage Setting Range (U<, U<<)	10 - 100% of Un (U<) (steps 1%) 0.01 - 2.0 (TMS) (steps 0.005) 0.00 - 99.99 (DMT) (steps 0.01sec) 0 - 100% Un (U<<) (steps 1%) 0.05s - 2s (DMT) (steps 0.01sec)	Contact Ratings	15A @ 230V AC, 15A @ 28V DC, Break 75W DC resistive, 1250VA AC
Residual Voltage Setting Range (Uo>, Uo>>)	2 - 88 V (Uo>) (steps 1V) 0.01 - 2.0 (TMS) (steps 0.005) 0.00 - 99.99 (DMT) (steps 0.01sec) 10 - 88 V (Uo>>) (steps 1V) 0.05s - 2s (DMT) (steps 0.01sec)	Auxiliary Relay	6A @ 230V AC, 6A @ 24V DC
		Output Contacts	The relay provides 5+1 user programmable output relays on which two with NO type contact and 4 with CO type contact
		Ambient Operating Temperature Range	-10 to 55 degree C
		Storage Operating Temperature Range	-20 to 70 degree C
		Ref. standard	IEC 60255/ IS3231



**Typical Terminal Diagram**

- There is continuous effort at Stelmec to keep abreast of latest technology in line with customer requirements and hence the product specifications are subject to change.
- Products described in this catalogue are manufactured and supplied according to the Certified Management System ISO 9001:2015.
- Product variants provide different combinations of features / specifications listed above & need not necessarily be a part of single variant.