

SLR AH33

AUXILIARY RELAY

The Stelmec make SLR AH33 is an Electromechanical Three Element Voltage Operated (24/30/110/220)V DC Auxiliary Relay with 2NO and 2NC hand reset contacts and flag for Transformer Protection such as Buchholz relay trip / alarm, Winding Temperature trip / Alarm, Oil Temperature trip / Alarm etc.

Salient Features

- Robust Electromechanical Design
- Simple and Reliable Construction
- Heavy Duty Contacts
- Hand Reset Contacts
- Flush Panel Mounting
- 2 Element Option Available

Dimensions

- Overall Dimensions: (H × W × D):
(174 × 154 × 104) mm ~
- Cut Out (H × W): (132 × 153) mm ~



Description

A fast operating, multi-contact, attracted armature relay with a high degree of mechanical stability, Type SLR AH33 has hand-reset contacts and an operating coil cut-off contact.

The control coil of the relay element is wound with super enameled copper wire with a short time thermal rating since the relay has a very fast operation with operating time <20ms.

A coil cut-off contact (NC contact of same element) with suitable break rating is internally wired in series with the coil. This makes coil energization momentary & disconnects the coil on operation.

The Mechanical interlock operates & Relay remains in lock out position until it is hand reset.

A mechanically operated hand reset type flag, is provided as an operation indicator. White for reset position & Red for Lock out indication.

The contacts are designed to have superior contact rating with minimum wear and tear.

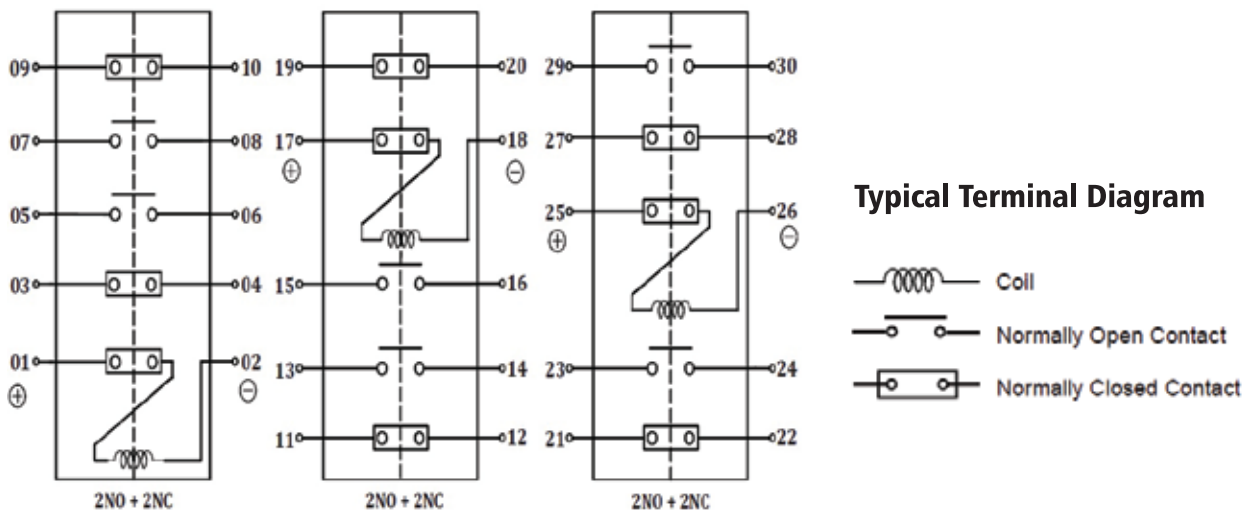
The elements are mounted in compact, non-drawout case, suitable for flush mounting on panels.

Technical Specifications

Coil Rating	(24/30/110/220) VDC
Operating Range	50 to 120% of rated voltage
Operating Time	<20 ms at nominal rated voltage
Operational Indicator	Mechanical flag (HR type)
Rated Burden	<5 W (Momentary)
Contacts	Configuration: 2NO + 2NC for each element
Ref. Standards	IS 3231, IEC 60255

Contact Ratings:

	Make & Carry	Make & Carry for 3 sec.	Break
AC	1250VA with max. of 5A & 660Volts	7500VA with max. of 30A & 660Volts	1250VA with max. of 5A & 660Volts
DC	1250W with max. of 5A & 660Volts	7500W with max. of 30A & 660Volts	100W Resistive, 50W Inductive for 5A/ 660V



- There is a continuous effort at Stelmec to keep abreast of latest technology in line with customers' requirements and hence the product specifications are subject to change.
- Products described in this catalogue are manufactured and supplied according to the Certified Management System ISO 9001:2015.
- Product variants provide different combinations of features / specifications listed above & need not necessarily be a part of single variant.